



## Features

- ✧ Support for multi-gigabit data rates up to 10.5Gbps
- ✧ Data rates backward compatible to 1Gbps
- ✧ Hot-pluggable SFP 20 PIN footprint
- ✧ Copper link length up to x (x=0.5~7m)

- ✧ I/O Connector designed for high speed differential signal applications
- ✧ Improved Pluggable Form Factor (IPF) compliant for enhanced EMI/EMC performance
- ✧ Compatible to SFP+ MSA
- ✧ Temperature Range: 0~70°C
- ✧ RoHS compliant

## Applications

- ✧ High capacity I/O in Storage Area Networks, Network Attached Storage, and Storage Servers
- ✧ Switched fabric I/O such as ultra high bandwidth switches and routers
- ✧ Data center cabling infrastructure
- ✧ High density connections between networking equipment

## Ordering Information

Part Number	Description	Wiregauge (AWG)
FWTD-10G-xxx	SFP+ Passive Direct Attach Copper Cable Assembly, x (x=0.5~7m)	30

## Description

The SFP+ passive cable assemblies are high performance, cost effective I/O solutions for 10G Ethernet and 10G Fibre Channel applications. SFP+ copper modules allow hardware manufactures to achieve high port density, configurability and utilization at a very low cast and reduced power budget. The high speed cable assemblies meet and exceed Gigabit Ethernet and Fibre Channel industry standard requirements for performance and reliability.

## ● Recommended Operating Environment

Parameter	Symbol	Min.	Typical	Max.	Unit
Storage Ambient Temperature		-40		+85	°C

Operating Case Temperature	Tc	0		+70	°C
Relative Humidity	RH	0		85	%

## ● Pin Function Definitions

PIN #	Name	Function	Notes
1	VeeT	Module transmitter ground	Note1
2	Tx Fault	Module transmitter fault	Note 2
3	Tx Disable	Transmitter Disable; Turns off transmitter laser output	Note 3
4	SDL	2 wire serial interface data input/output (SDA)	
5	SCL	2 wire serial interface clock input (SCL)	
6	MOD-ABS	Module Absent, connect to VeeR or VeeT in the module	Note 2
7	RS0	Rate select0, optionally control SFP+ receiver. When high, input data rate >4.5Gb/ s; when low, input data rate <=4.5Gb/s	
8	LOS	Receiver Loss of Signal Indication	Note4
9	RS1	Rate select0, optionally control SFP+ transmitter. When high, input data rate >4.5Gb/s; when low, input data rate <=4.5Gb/s	
10	VeeR	Module receiver ground	Note 1
11	VeeR	Module receiver ground	Note 1
12	RD-	Receiver inverted data out put	
13	RD+	Receiver non-inverted data out put	
14	VeeR	Module receiver ground	Note 1
15	VccR	Module receiver 3.3V supply	
16	VccT	Module transmitter 3.3V supply	
17	VeeT	Module transmitter ground	Note 1
18	TD+	Transmitter inverted data out put	
19	TD-	Transmitter non-inverted data out put	
20	VeeT	Module transmitter ground	Note1

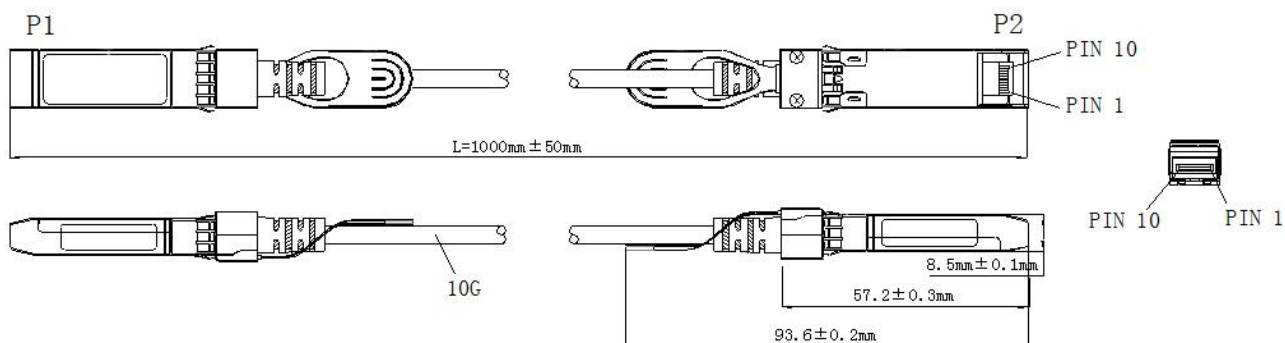
Note 1) The module ground pins shall be isolated from the module case.

Note 2) This pin is an open collector/drain output pin and shall be pulled up with 4.7K-10Kohms to Host\_Vcc on the host board.

Note 3) This pin shall be pulled up with 4.7K-10Kohms to VccT in the module.

Note 4) This pin is an open collector/drain output pin and shall be pulled up with 4.7K-10Kohms to Host\_Vcc on the host board.

● Mechanical Dimensions



FIBERWAN reserves the right to make changes to the products or information contained herein without notice. No liability is assumed as a result of their use or application. No rights under any patent accompany the sale of any such products or information.

Copyright © FIBERWAN

All Rights Reserved