

**FEATURES**

- Compliant with IEEE802.3bs standard:  
400GAUI-8 electrical interface
- Compliant with IEEE 802.3bs standard:  
400GBASE-DR4 optical interface
- Compliant with QSFP-DD MSA HW Rev 5.0  
Type 2 housing with MPO-12 connector
- Compliant with QSFP-DD CMIS Rev 4.0
- Supports 3dB channel insertion loss
- Maximum power consumption 12W
- Case operating temperature 0°C to 70°C
- Two wire serial Interface with digital diagnostic monitoring
- RoHS compliant
- Class 1 Laser



**Module Characteristics**

Table 1 – Absolute Maximum Ratings

Parameter	Symbol	Min.	Max.	Unit	Notes
Storage Temperature	T <sub>S</sub>	-40	85	°C	
Supply Voltage	V <sub>CC</sub>	-0.5	3.6	V	
Relative Humidity (non-condensing)	RH	5	95	%	
Control Input Voltage	V <sub>I</sub>	-0.3	V <sub>CC</sub> +0.5	V	

Table 2 – Recommended Operating Conditions

Parameter	Symbo	Min.	Typical	Max.	Unit	Notes
Operating Case Temperature	T <sub>OPR</sub>	0	-	70	°C	
Power Supply Voltage	V <sub>CC</sub>	3.135	3.3	3.465	V	
Instantaneous peak current at hot plug	I <sub>CC_IP</sub>	-	-	4800	mA	
Sustained peak current at hot plug	I <sub>CC_SP</sub>	-	-	3960	mA	
Maximum Power Dissipation	P <sub>D</sub>	-	-	12	W	
Maximum Power Dissipation, Low Power	P <sub>DLP</sub>	-	-	1.5	W	
Signalling Rate per Lane	SRL	-	53.125	-	GBd	PAM4
Two Wire Serial Interface Clock Rate	-	-	-	400	kHz	
Power Supply Noise Tolerance (10Hz -	-	-	-	66	mV	
Rx Differential Data Output Load	-	-	100	-	Ohm	
Operating Distance	-	2	-	500	m	

### Functional Characteristics (Optical)

The following tables list the performance specifications for the various functional blocks of the integrated optical transceiver module.

Table 3 – Transmitter Optical Specifications

Parameter	Symbol	Min.	Typical	Max.	Unit	Notes
Wavelength	$\lambda_C$	1304.5	1311	1317.5	nm	
Side Mode Suppression Ratio	SMSR	30	-	-	dB	
Average Launch Power, each lane	AOP <sub>L</sub>	-2.9	-	4	dBm	1
Outer Optical Modulation Amplitude (OMA <sub>outer</sub> ), each lane	T <sub>OMA</sub>	-0.8	-	4.2	dBm	2
Launch Power in OMA <sub>outer</sub> minus TDECQ, each lane	T <sub>OMA-TDECQ</sub>	-2.2	-	-	dBm	
Transmitter and Dispersion Eye Closure for PAM4 (TDECQ), each lane	TDECQ	-	-	3.4	dB	
Average Launch Power of OFF Transmitter, each lane	T <sub>OFF</sub>	-	-	-15	dBm	
Extinction Ratio, each lane	ER	3.5	-	-	dB	
RIN <sub>21.4OMA</sub>	RIN	-	-	-136	dB/Hz	
Optical Return Loss Tolerance	ORL	-	-	21.4	dB	
Transmitter Reflectance	T <sub>R</sub>	-	-	-26	dB	3

Note 1: Average launch power, each lane (min) is informative and not the principal indicator of signal strength

Note 2: Even if TDECQ < 1.4dB, OMA<sub>outer</sub> (min) must exceed this value

Note 3: Transmitter reflectance is defined looking into the transmitter

Table 4 – Receiver Optical Specifications

Parameter	Symbol	Min.	Typical	Max.	Unit	Notes
Wavelength	$\lambda_C$	1304.5	1311	1317.5	nm	
Damage Threshold, each lane	AOP <sub>D</sub>	5	-	-	dBm	
Average Receive Power, each lane	AOP <sub>R</sub>	-5.9	-	4	dBm	1
Receive Power (OMA <sub>outer</sub> ), each lane	OMA <sub>R</sub>	-	-	4.2	dBm	
Receiver Reflectance	RR	-	-	-26	dB	
Receiver Sensitivity (OMA <sub>outer</sub> ), each lane	S <sub>OMA</sub>	-	-	-4.4	dBm	2
Stressed Receiver Sensitivity (OMA <sub>outer</sub> ), each lane	SRS	-	-	-1.9	dBm	3
Conditions of stressed receiver sensitivity test			-			
Stressed eye closure for PAM4 (SECQ)			3.4		dB	
OMA <sub>outer</sub> of each aggressor lane			4.2		dBm	

Note 1: Note 1: Average receive power, (min) is informative and not the principal indicator of signal strength

Note 2: Receiver sensitivity (OMA<sub>outer</sub>), each lane (max) is informative and is defined for a transmitter with a value of SECQ up to 3.4 dB. Note

3: Measured with conformance test signal at TP3 for the BER = 2.4x10<sup>-4</sup>

**Functional Characteristics (Electrical)**

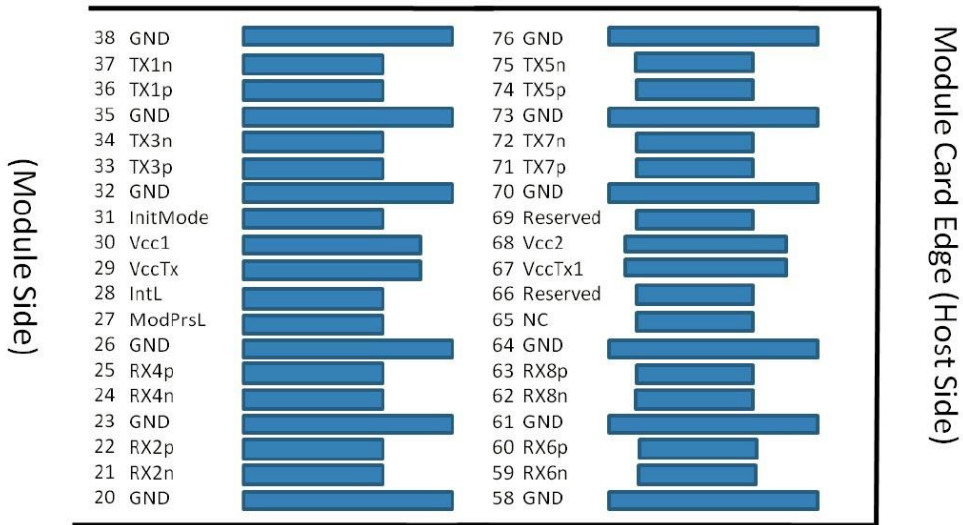
Table 5 – Electrical Specification High Speed Signal (compliant with IEEE 802.3bs 400GAUI-8)

Receiver (Module Output)						
Parameter	Symbol	Min.	Typical	Max.	Unit	Notes
AC common-mode output Voltage (RMS)		-	-	17.5	mV	
Differential output Voltage		-	-	900	mV	
Near-end Eye height, differential		70	-	-	mV	
Far-end Eye height, differential		30	-	-	mV	
Far end pre-cursor ratio		-4.5	-	2.5	%	
Differential Termination Mismatch		-	-	10	%	
Transition Time (min, 20% to 80%)		9.5	-	-	ps	
DC common mode Voltage		-350	-	2850	mV	
Transmitter (Module Input)						
Parameter	Symbol	Min.	Typical	Max.	Unit	Notes
Differential pk-pk input Voltage tolerance		900	-	-	mV	
Differential termination mismatch		-	-	10	%	
Single-ended voltage tolerance range		-0.4	-	3.3	V	
DC common mode Voltage		-350	-	2850	mV	

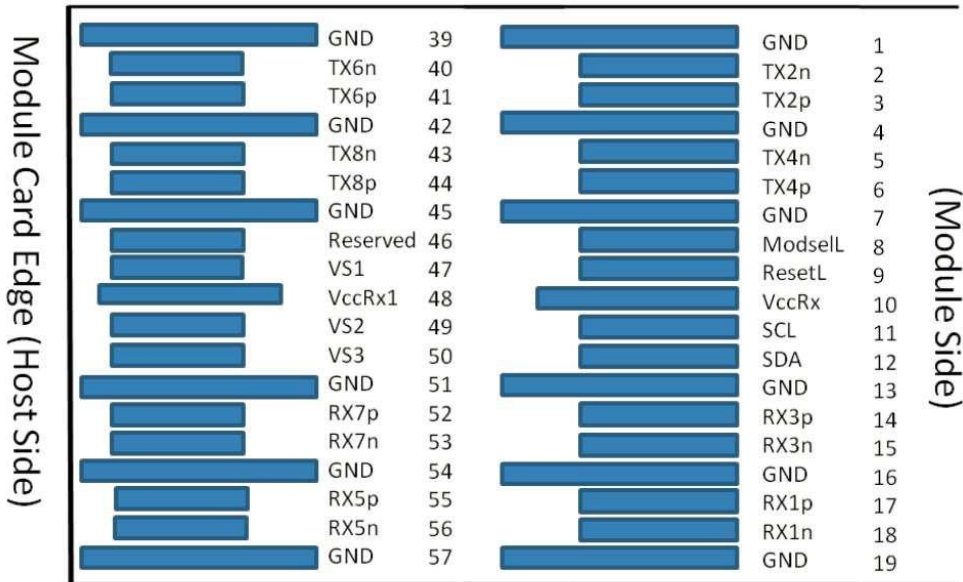
Table 6 – Electrical Specification Low Speed Signal (compliant with QSFP-DD HW Rev 5.0)

Parameter	Symbol	Min.	Max.	Unit	Condition
AC common-mode output Voltage (RMS)	V <sub>OL</sub>	0	0.4	V	
Module Input SCL and SDA	V <sub>IL</sub>	-0.3	V <sub>CC</sub> *0.3	V	
	V <sub>IH</sub>	V <sub>CC</sub> *0.7	V <sub>CC</sub> +0.5	V	
InitMode, ResetL and ModSelL	V <sub>IL</sub>	-0.3	0.8	V	
	V <sub>IH</sub>	2	V <sub>CC</sub> +0.3	V	
IntL	V <sub>OL</sub>	0	0.4	V	
	V <sub>OH</sub>	V <sub>CC</sub> -0.5	V <sub>CC</sub> +0.3	V	

Pin Definitions



Top side viewed from top



Bottom side viewed from bottom

Figure 1 – Pin definitions of the module high speed inputs/outputs

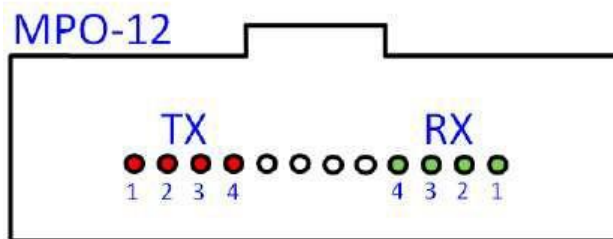


Figure 2 – Active fiber ports in MPO12 connector on module side

Table 7 – Module Pin Definitions

Pin #	Logic	Symbol	Definition	Pin #	Logic	Symbol	Definition
1		GND	Ground	39		GND	Ground
2	CML-I	Tx2n	Transmitter Inverted Data Input	40	CML-I	Tx6n	Transmitter Inverted Data Input
3	CML-I	Tx2p	Transmitter Non-inverted Data Input	41	CML-I	Tx6p	Transmitter Non-inverted Data Input
4		GND	Ground	42		GND	Ground
5	CML-I	Tx4n	Transmitter Inverted Data Input	43	CML-I	Tx8n	Transmitter Inverted Data Input
6	CML-I	Tx4p	Transmitter Non-inverted Data Input	44	CML-I	Tx8p	Transmitter Non-inverted Data Input
7		GND	Ground	45		GND	Ground
8	LVTTL-I	ModSelL	Module Select	46		Reserve	
9	LVTTL-I	ResetL	Module Reset	47		VS1	Module Vendor Specific 1
10		VccRx	+3.3V Power Supply Receiver	48		VccRx1	3.3V Power Supply
11	LVC MOS	SCL	2-wire serial interface clock	49		VS2	Module Vendor Specific 2
12	LVC MOS	SDA	2-wire serial interface data	50		VS3	Module Vendor Specific 3
13		GND	Ground	51		GND	Ground
14	CML-O	Rx3p	Receiver Non-inverted Data Output	52	CML-O	Rx7p	Receiver Non-inverted Data Output
15	CML-O	Rx3n	Receiver Inverted Data Output	53	CML-O	Rx7n	Receiver Inverted Data Output
16		GND	Ground	54		GND	Ground
17	CML-O	Rx1p	Receiver Non-inverted Data Output	55	CML-O	Rx5p	Receiver Non-inverted Data Output
18	CML-O	Rx1n	Receiver Inverted Data Output	56	CML-O	Rx5n	Receiver Inverted Data Output
19		GND	Ground	57		GND	Ground
20		GND	Ground	58		GND	Ground
21	CML-O	Rx2n	Receiver Inverted Data Output	59	CML-O	Rx6n	Receiver Inverted Data Output
22	CML-O	Rx2p	Receiver Non-inverted Data Output	60	CML-O	Rx6p	Receiver Non-inverted Data Output
23		GND	Ground	61		GND	Ground
24	CML-O	Rx4n	Receiver Inverted Data Output	62	CML-O	Rx8n	Receiver Inverted Data Output
25	CML-O	Rx4p	Receiver Non-inverted Data Output	63	CML-O	Rx8p	Receiver Non-inverted Data Output
26		GND	Ground	64		GND	Ground
27	LVTTL-	ModPrsL	Module Present	65		NC	Not connected
28	LVTTL-	IntL	Interrupt	66		Reserv	
29		VccTx	+3.3V Power Supply Transmitter	67		VccTx1	3.3V Power Supply
30		Vcc1	+3.3V Power Supply	68		Vcc2	3.3V Power Supply
31	LVTTL-I	InitMode	Initialization mode	69		Reserv	
32		GND	Ground	70		GND	Ground
33	CML-I	Tx3p	Transmitter Non-inverted Data Input	71	CML-I	Tx7p	Transmitter Non-inverted Data Input
34	CML-I	Tx3n	Transmitter Inverted Data Input	72	CML-I	Tx7n	Transmitter Inverted Data Input
35		GND	Ground	73		GND	Ground
36	CML-I	Tx1p	Transmitter Non-inverted Data Input	74	CML-I	Tx5p	Transmitter Non-inverted Data Input
37	CML-I	Tx1n	Transmitter Inverted Data Input	75	CML-I	Tx5n	Transmitter Inverted Data Input
38		GND	Ground	76		GND	Ground

Recommended QSFP-DD Host Board Schematic

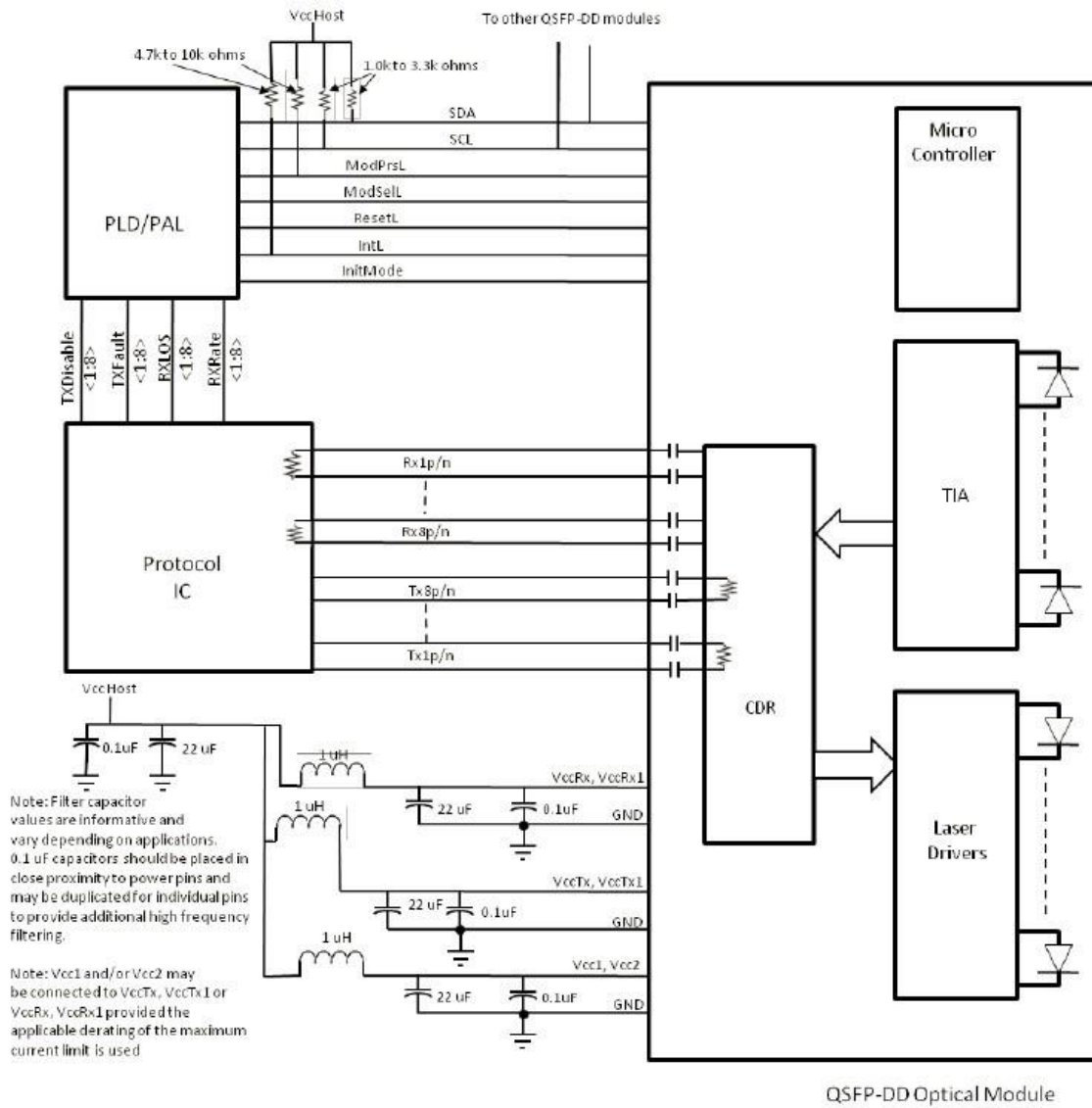


Figure 3 – Recommended QSFP-DD Host Board Schematic

Table 8 – Timing for Soft Control and Status Functions

Parameter	Symbol	Min.	Max.	Unit	Notes
MgmtInit Duration		-	2000	ms	
ResetL Assert Time	t_reset_init	10	-	µs	
IntL Assert Time	ton_IntL	-	200	ms	
IntL Deassert Time	toff_IntL	-	500	µs	
Rx LOS Assert Time	ton_los	-	100	ms	
Tx Fault Assert Time	ton_Txfault	-	200	ms	
Flag Assert Time	ton_flag	-	200	ms	
Mask Assert Time	ton_mask	-	100	ms	
Mask Deassert Time	toff_mask	-	100	ms	

Table 9 – I/O Timing for Squelch and Disable

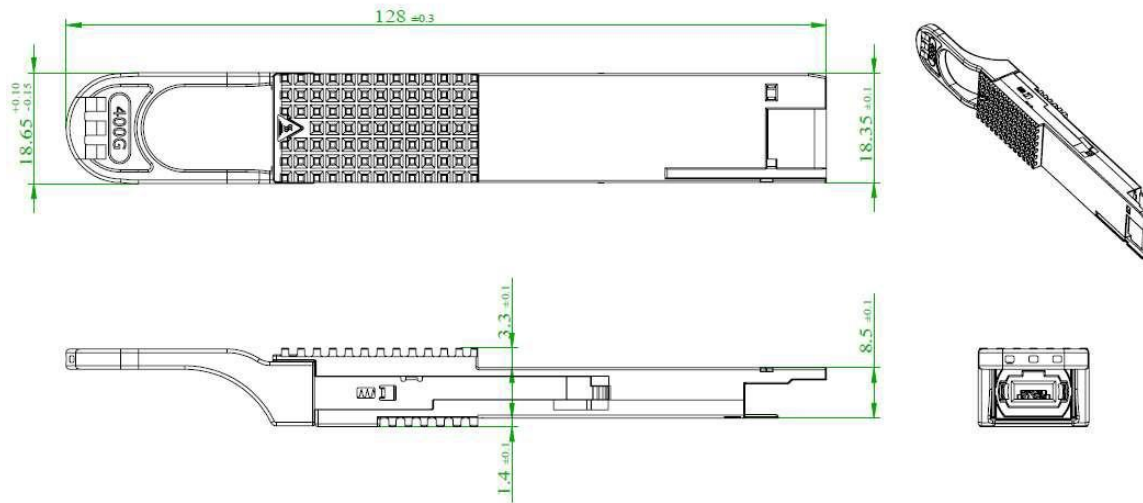
Parameter	Symbol	Min.	Max.	Unit	Notes
Rx Squelch Assert Time	ton_Rxsq	-	500	ms	Note
Rx Squelch Deassert Time	toff_Rxsq	-	15	s	Note
Tx Squelch Assert Time	ton_Txsq	-	400	ms	
Tx Squelch Deassert Time	toff_Txsq	-	5	s	Note
Tx Disable Assert Time	ton_Txdis	-	100	ms	
Tx Disable Deassert Time	toff_Txdis	-	400	ms	
Rx Output Disable Assert Time	ton_Rxdis	-	100	ms	
Rx Output Disable Deassert Time	toff_Rxdis	-	100	ms	
Squelch Disable Assert Time	ton_sqdis	-	N/A		Note, not support
Squelch Disable Deassert Time	toff_sqdis	-	N/A		Note, not support

Note: Timing not compliant with QSFP-DD-Hardware-rev5p0.

Table 10 – Digital Diagnostics

Parameter	Range	Accuracy	Unit	Calibration
Temperature	0 to 70	±3	°C	Internal
Voltage	0 to VCC	3%	V	Internal
Tx Bias Current (Each Lane)	0 to 100	10%	mA	Internal
Tx Output Power (Each	-2.9 to +4.0	±3	dB	Internal
Rx Receive Power (Each	-5.9 to +4.0	±3	dB	Internal

**Mechanical Diagram**



**Ordering Information**

Table 11 - Ordering Information

Part No.	Application	Data Rate	Laser Source	Fiber Type	Temperature
FWTQ-400G-005	400GBASE-DR4	400GB Ethernet	EML	Single Mode Fiber	0 ~ 70°C



## WARNINGS

- Handling Precautions: This device is susceptible to damage as a result of electrostatic discharge (ESD). A static free environment is highly recommended. Follow guidelines according to proper ESD procedures.
- Laser Safety: Radiation emitted by laser devices can be dangerous to human eyes. Avoid eye exposure to direct or indirect radiation.

## LEGAL NOTES

- All information contained in this document is subject to change without notice, at FIBERWAN's sole and absolute discretion. FIBERWAN warrants performance of its products to current specifications only in accordance with the company's standard one-year warranty; however, specifications designated as "preliminary" are given to describe components only, and FIBERWAN expressly disclaims any and all warranties for said products, including express, implied, and statutory warranties, warranties of merchantability, fitness for a particular purpose, and non-infringement of proprietary rights. Please refer to the company's Terms and Conditions of Sale for further warranty information.
- FIBERWAN assumes no liability for applications assistance, customer product design, software performance, or infringement of patents, services, or intellectual property described herein. No license, either express or implied, is granted under any patent right, copyright, or intellectual property right, and FIBERWAN makes no representations or warranties that the product(s) described herein are free from patent, copyright, or intellectual property rights. Products described in this document are NOT intended for use in implantation or other life support applications where malfunction may result in injury or death to persons. FIBERWAN customers using or selling products for use in such applications do so at their own risk and agree to fully defend and indemnify FIBERWAN for any damages resulting from such use or sale.
- THE INFORMATION CONTAINED IN THIS DOCUMENT IS PROVIDED ON AN "AS IS" BASIS. Customer agrees that FIBERWAN is not liable for any actual, consequential, exemplary, or other damages arising directly or indirectly from any use of the information contained in this document. Customer must contact FIBERWAN to obtain the latest version of this publication to verify, before placing any order, that the information contained herein is current.
- Copyright ©2020 FIBERWAN.  
All rights reserved.