



- ✧ Single 3.3V supply voltage
- ✧ Hot pluggable
- ✧ RoHS compliant
- ✧ Supports IEEE 802.3by
- ✧ SFF-8402 compliant Tested in an end-to-end system

Features:

- ✧ Up to 25Gb/s data rate
- ✧ Operating case temperature of 0~70 °C

Applications:

- ✧ 25 Gigabit Ethernet Switch
- ✧ Switches, Routers and HBAs
- ✧ Data Center

Description:

The FWTD-25G-xxx passive copper cable is a high speed, cost-effective 25Gbp/s Ethernet connectivity solution designed to meet the growing needs for higher bandwidth in datacenters.

The FWTD-25G-xxx passive copper cable contains a single high-speed copper pair, operating at data rates

of up to 25 Gb/s. The cables are compliant with IEEE P802.3by Ethernet standard and SFF-8402 SFP28 standard. Each SFP28 connector comprises an EEPROM providing product information which can be read by the host system.

OPWAY's unique quality passive copper cable solutions provide efficient connectivity for short distance interconnects. It enables higher port bandwidth, density and configurability at a low cost and reduced power requirement in the data centers. Rigorous production testing ensures the best out-of-the-box installation experience, performance, and durability.

● **Recommended Operating Environment:**

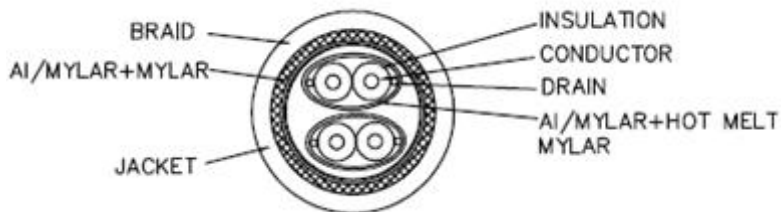
Parameter	Symbol	Min.	Typical	Max.	Unit
Storage Temperature		-40		+85	°C
Operating Case Temperature	Tc	0		+70	°C
Power Supply Voltage	V _{CC3}	3.14	3.3	3.47	V

● **Electrical Specifications**

Parameter	Minimum	Typical	Maximum	Units
Characteristic Impedance	90	100	110	Ω
Time Delay	---	---	4.5	ns/m

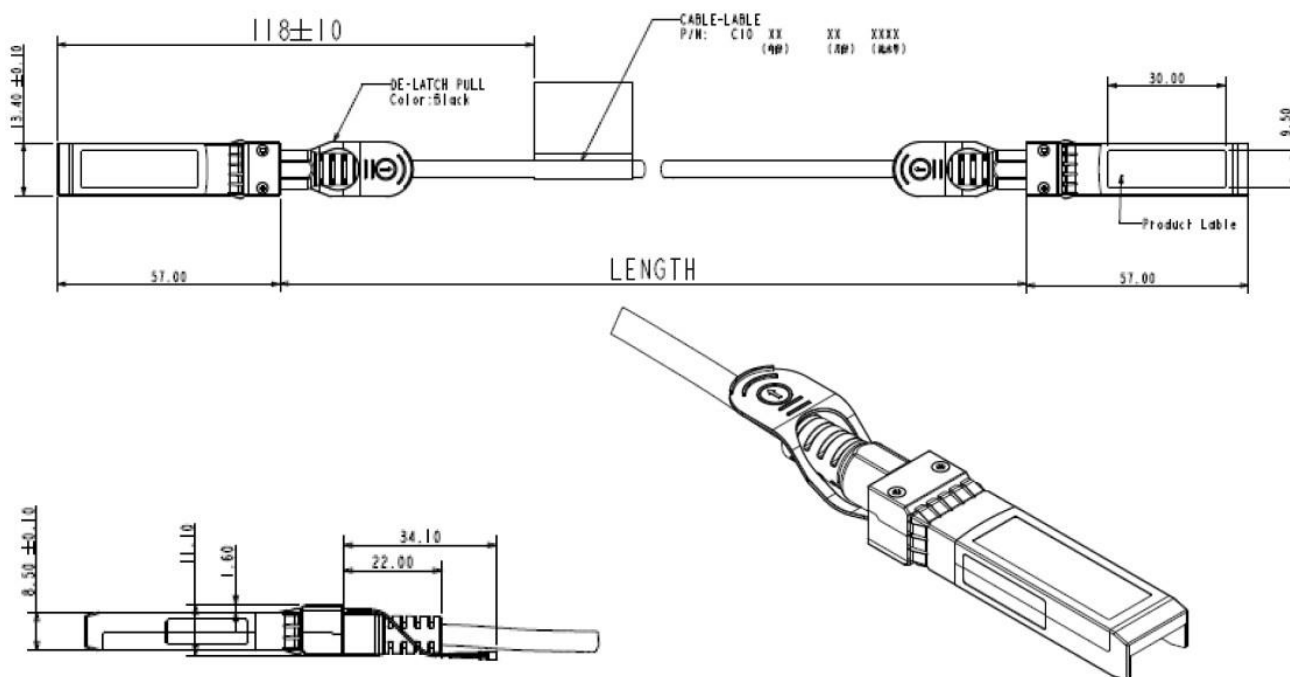
● Bulk Cable Characteristics

The structure of the cable is shown as the figure , the characteristics of the bulk cable are listed below.



- ✧ Voltage rating: 30V
- ✧ Temperature rating: 80°C;
- ✧ Impedance: Differential mode: 100 +10/-5 ohm @TDR;
- ✧ Delay Skew(INTRA-SKEW): 50ps/5m max;
- ✧ Signal Twin-ax pair cable: Solid Ag plated copper conductor;
- ✧ Braid shielding coverage 85% min.
- ✧ Jacket material: LSZH or PVC

● Mechanical Dimensions



● Ordering information

Part number	Length	AWG	Diameter	Minimum Bend Results	Cable Color	Description
OP30T0.5	0.5m	30	4.5 ±0.2 (PVC)	Single bend: 22.5mm Repeated bend: 45mm	Black	Passive Copper cable, ETH, up to 25Gb/s, SFP28, 0.5m, 30 AWG
OP30T1	1m					Passive Copper cable, ETH, up to 25Gb/s, SFP28, 1m, 30 AWG
OP30T2	2m					Passive Copper cable, ETH, up to 25Gb/s, SFP28, 2m, 30 AWG
OP30T3	3m	28	4.7±0.3mm (PVC)	Single bend: 23.5mm Repeated bend: 47mm		Passive Copper cable, ETH, up to 25Gb/s, SFP28, 3m, 28 AWG
OP30T5	5m	26	5.2 ±0.3 mm (PVC)	Single bend: 26mm Repeated bend: 52mm		Passive Copper cable, ETH, up to 25Gb/s, SFP28, 5m, 26 AWG

FIBERWAN reserves the right to make changes to the products or information contained herein without notice. No liability is assumed as a result of their use or application. No rights under any patent accompany the sale of any such products or information.

Copyright © FIBERWAN

All Rights Reserved